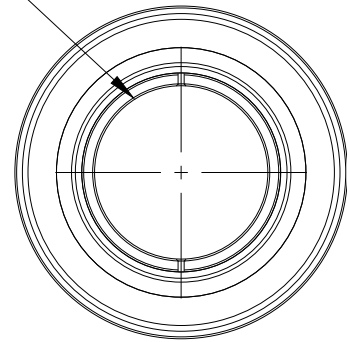


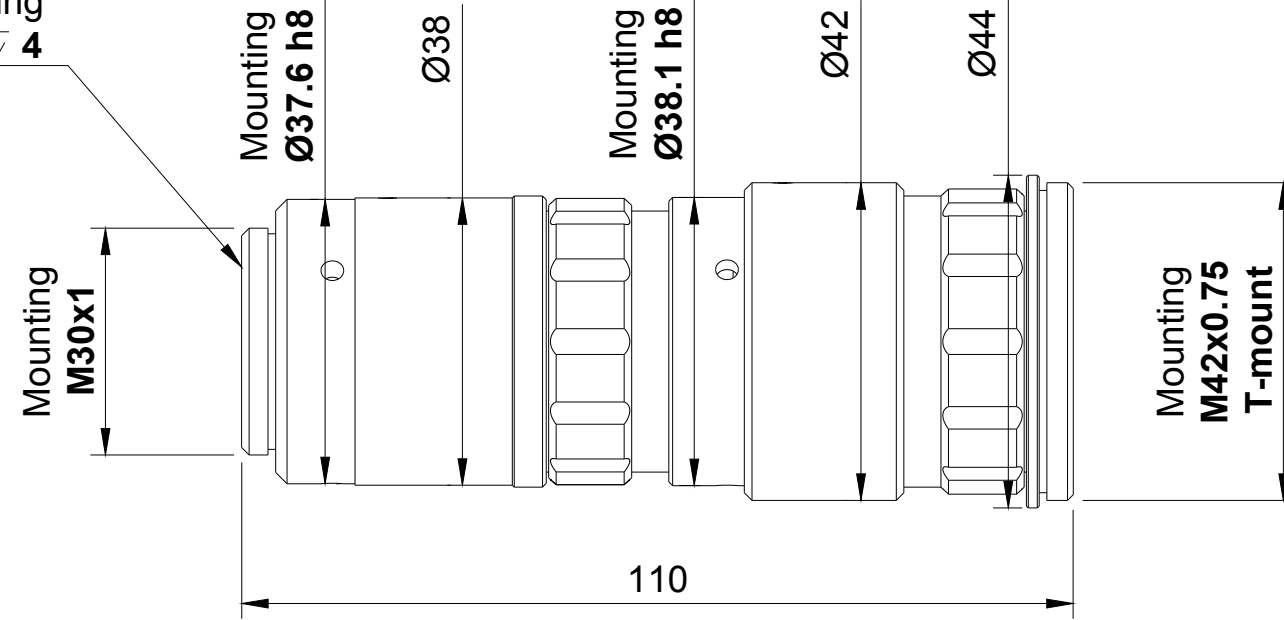
1 2 3 4 5 6 7 8

A

Input CA Ø11  
Output CA Ø23.5

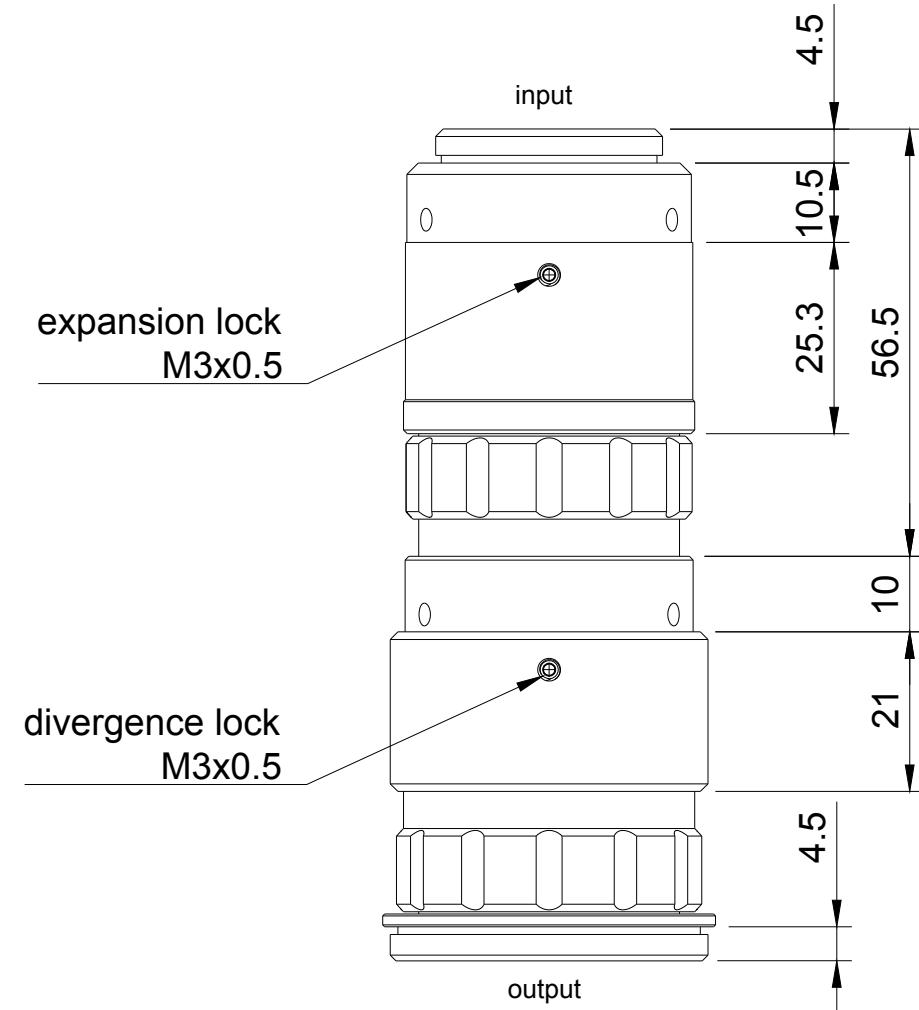


Mounting  
internal SM1 (1.035"-40) ∇ 4



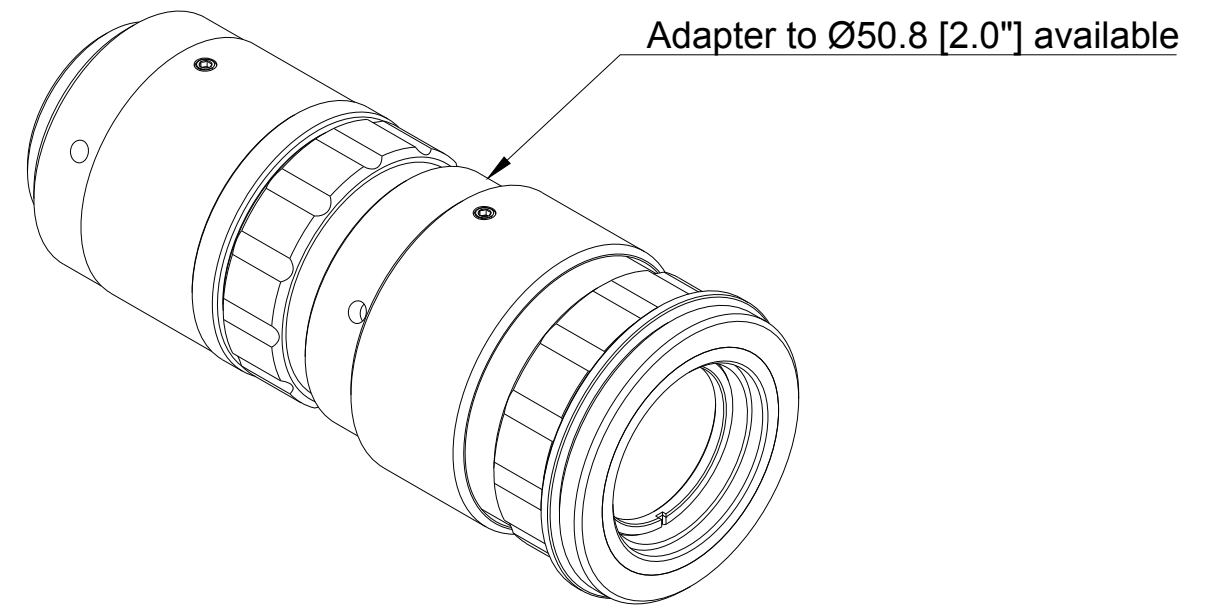
B

C



D

E



F

**!** FOR INFORMATION ONLY **!**  
NOT FOR MANUFACTURING PURPOSES



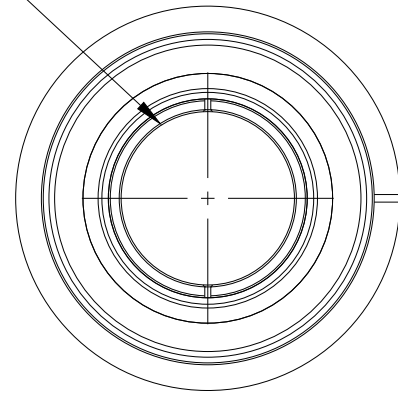
Finish Anodized Aluminium		Created by Optogama 31/12/2018	
Title VEX13 Beam expander 1.0x - 3.0x		DWG No. VEX13v4	
Scale 1:1	A3	Sheet 1/1	

1 2 3 4 5 6 7 8

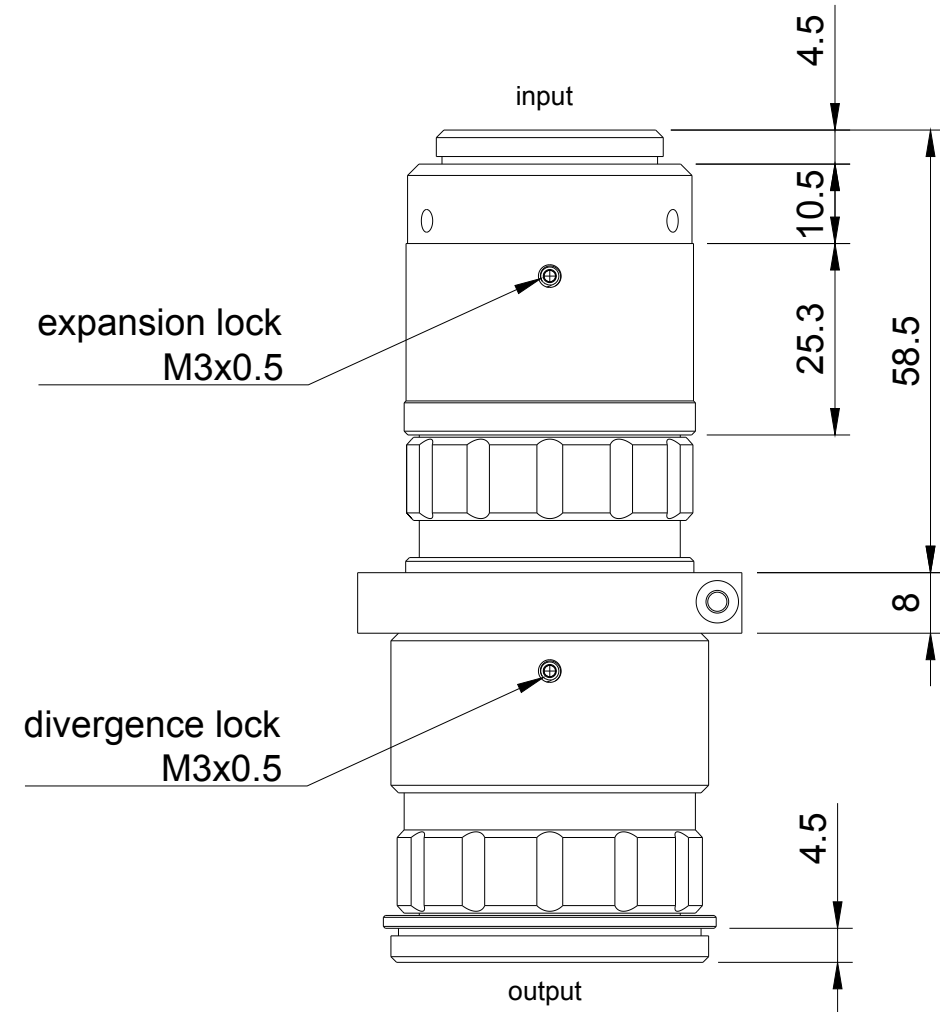
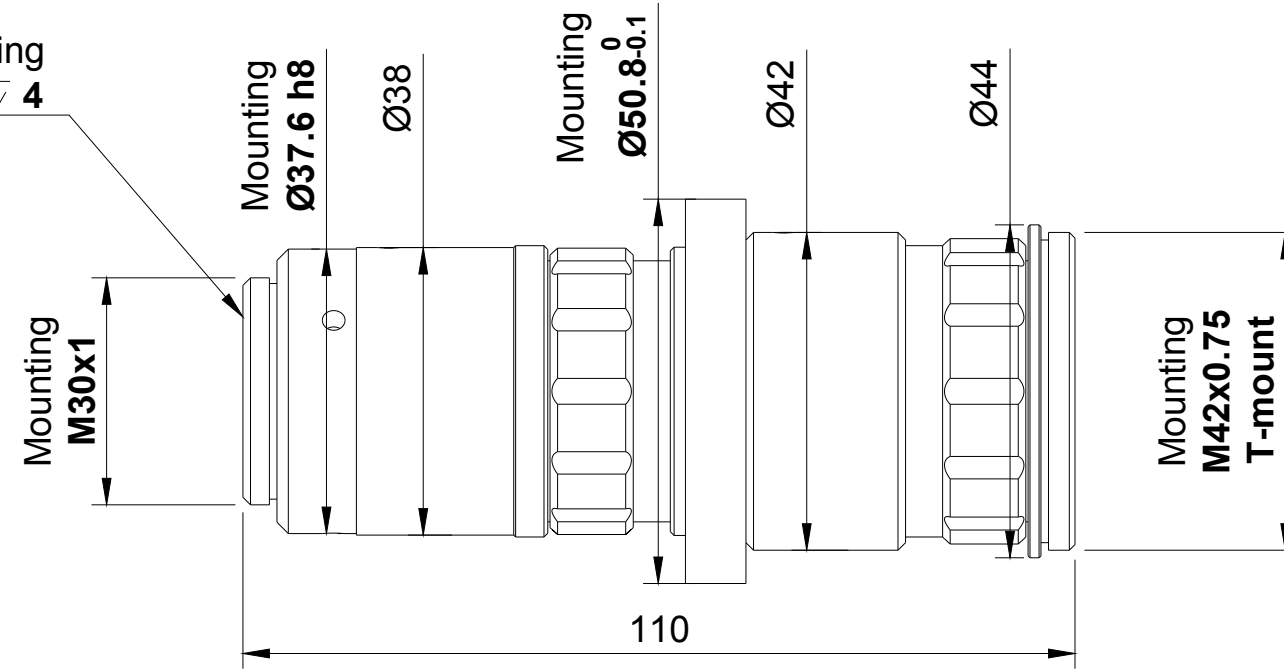
1 2 3 4 5 6 7 8

A  
B  
C  
D  
E  
F

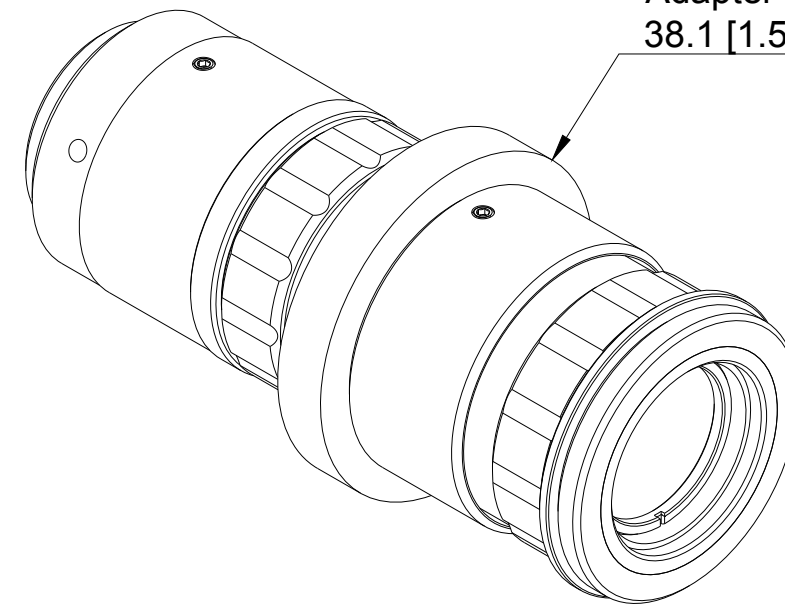
Input CA Ø11  
Output CA Ø23.5



Mounting  
internal SM1 (1.035"-40) ∇ 4



Adapter sold separately  
38.1 [1.5"] to 50.8 [2.0"] !

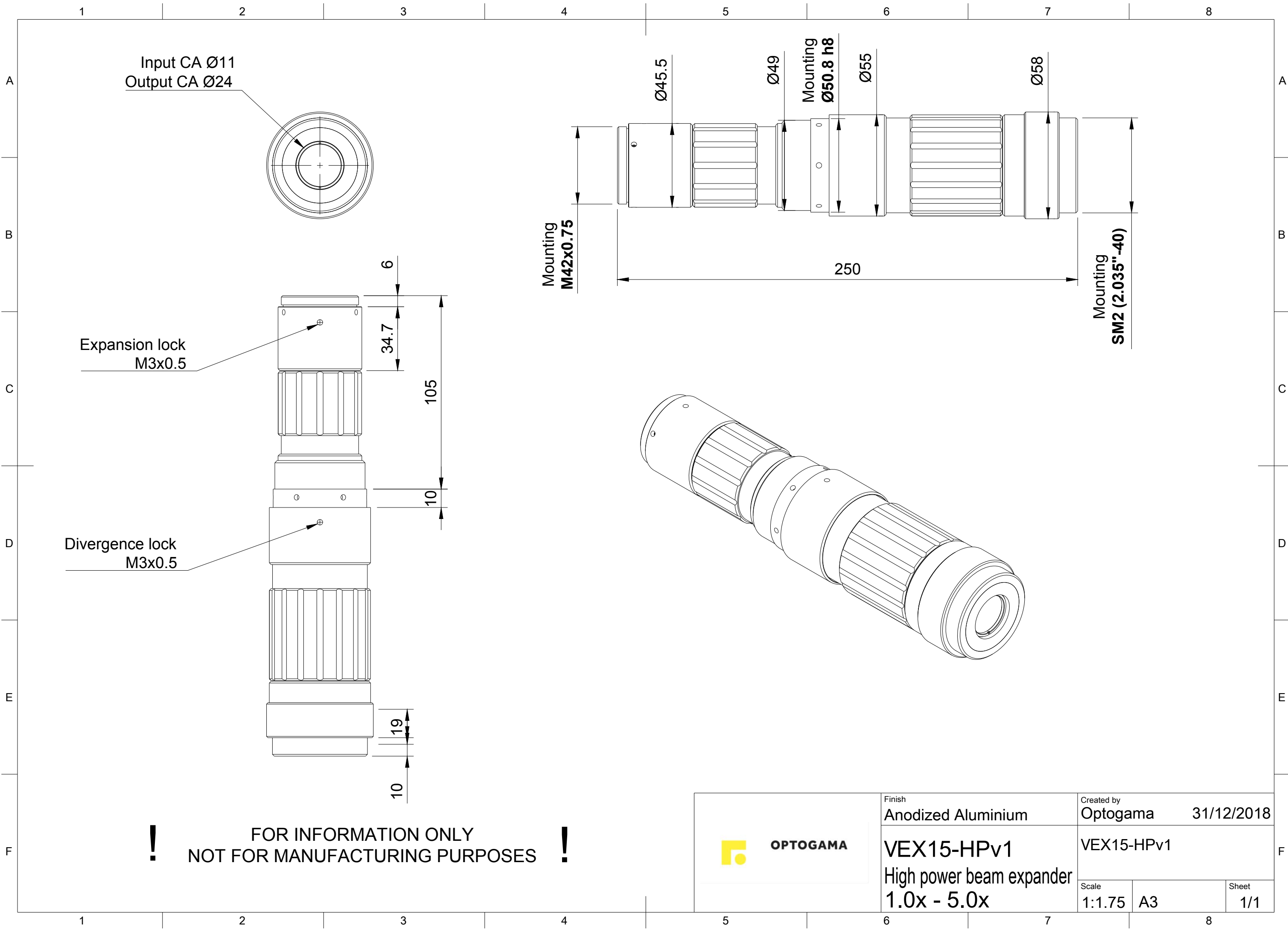


! FOR INFORMATION ONLY NOT FOR MANUFACTURING PURPOSES !




Finish Anodized Aluminium	Created by Optogama 31/12/2018	
	VEX13v4	
VEX13v4 Beam expander 1.0x - 3.0x	Scale 1:1	Sheet 1/1
	A3	

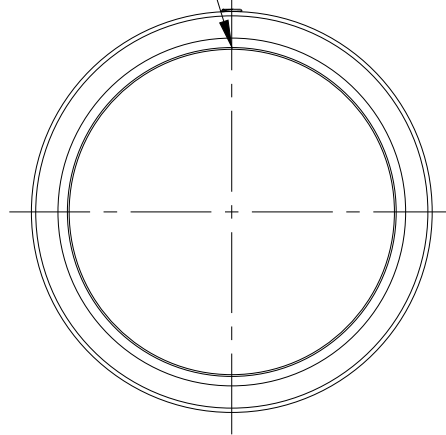
1 2 3 4 5 6 7 8



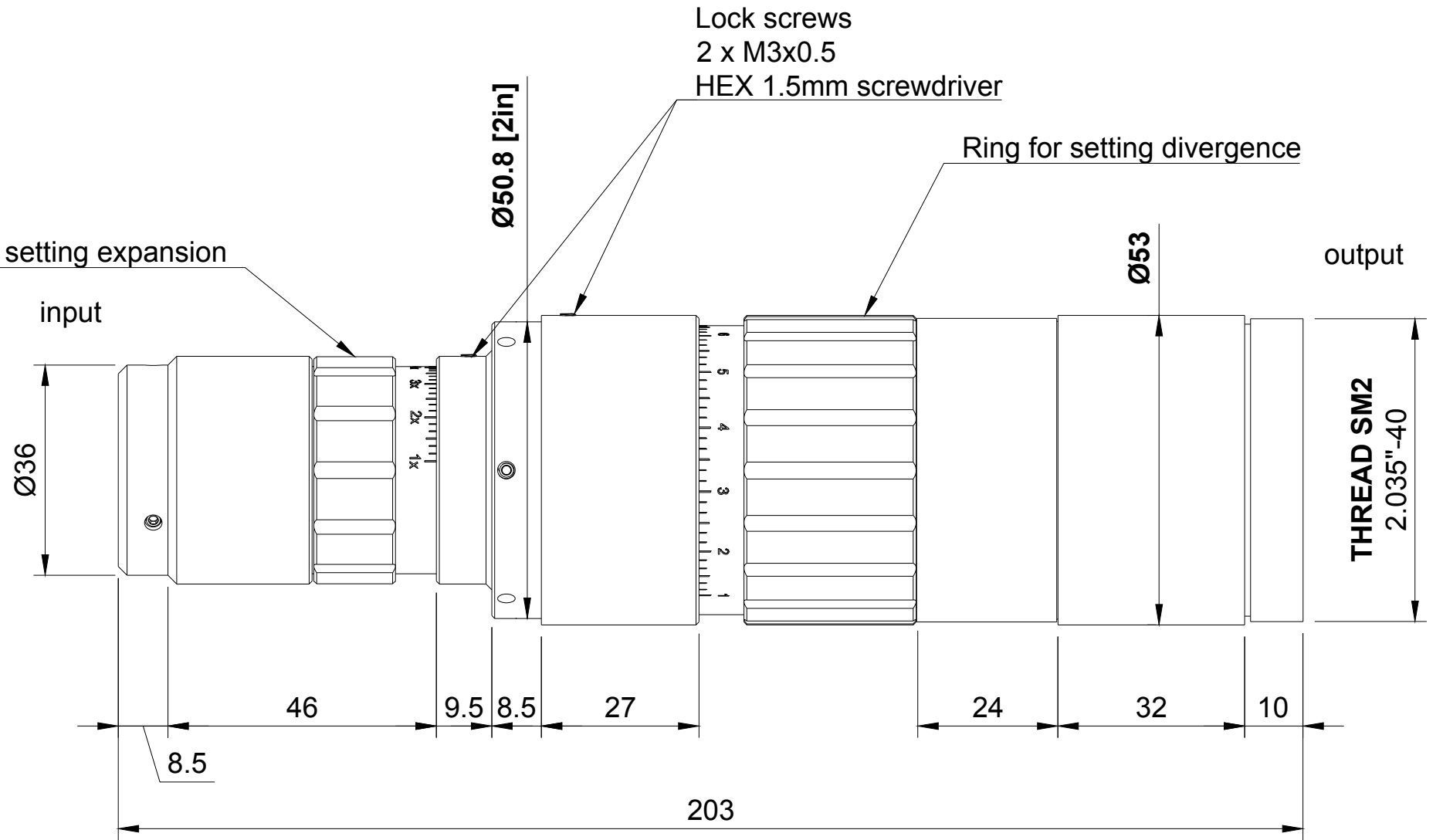
**! FOR INFORMATION ONLY NOT FOR MANUFACTURING PURPOSES !**

 <b>OPTOGAMA</b>	Finish Anodized Aluminium	Created by Optogama 31/12/2018
	<b>VEX15-HPv1</b> High power beam expander 1.0x - 5.0x	
Scale 1:1.75	A3	Sheet 1/1


Output CA Ø40  
Input CA Ø11



Ring for setting expansion



FOR INFORMATION ONLY  
NOT FOR MANUFACTURING PURPOSES

Dept.	Technical reference 1:1.5	Created by Optogama 26/06/2018	Approved by
	Document type	Document status	
	Title VEX18v3.1 1.0x - 8.0x variable expander	DWG No. VEX18v3.1	
	Rev.	Date of issue	Sheet 1/1